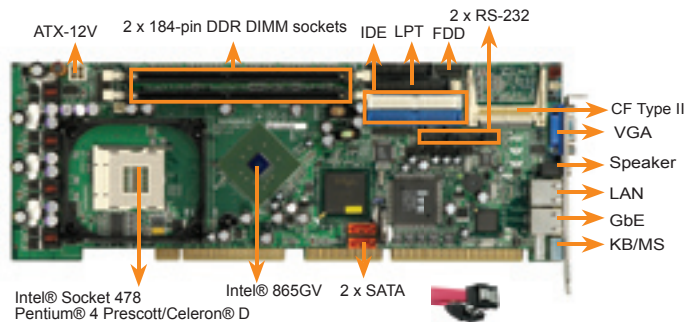


ROCKY-4786EVG-RS-R40

Full-size PICMG 1.0 supports Socket 478 Intel® Pentium® 4 and Celeron® D processors with an 800 MHz FSB and comes with VGA, LAN, GbE, SATA, USB 2.0 and audio



Dual DDR2
400

FSB800



Features

1. PICMG 1.0 and RoHS compliant
2. Long term support
3. Supports Socket 478 Prescott Intel® Pentium® 4 and Celeron® D processors with an 800MHz (max.) FSB.
4. Intel® Extreme Graphics II integrated graphics engine

Specifications

- ◆ CPU
Socket 478 Intel® Pentium® 4, Celeron® D and Celeron® processors with a 400 MHz, 533 MHz or 800MHz FSB
- ◆ System Chipsets
Intel® 865GV+ ICH5
- ◆ BIOS
Award Flash BIOS
- ◆ System Memory
Two 184-pin 1 GB (max.) 400 MHz or 333 MHz dual-channel DDR SDRAM DIMM supported (system max. 2 GB)
- ◆ Ethernet
1st Intel® 82562ET Ethernet chipset (ROCKY-4786EV)
2nd Intel® 82547 GbE chipset (ROCKY-4786EVG with ASF2.0 remote control support)
- ◆ I/O Interface
2 x RS-232 1 x LPT
1 x Infrared 8 x USB 2.0
2 x SATA 1 x FDD
2 x IDE
1 x Keyboard and mouse (PS/2)
1 x 5-pin header for keyboard
- ◆ Digital I/O
N/A
- ◆ SSD
CF Type II
- ◆ Display Interface
VGA integrated in Intel® 865GV
- ◆ Audio
Realtek ALC655 AC'97 codec
- ◆ Watchdog Timer
Software programmable supports 1~255 sec. system reset
- ◆ Power Supply
AT/ATX power
- ◆ Power Consumption
12 V @ 7.52 A, -12 V @ 500 mA, 5 V @ 6.98 A running a 3 GHz Intel® Pentium® 4 processor with a 800 MHz FSB and 512 MB of 400 MHz dual-channel DDR SDRAM
- ◆ Temperature
Operating: 0°C ~ 60°C (32°F ~ 140°F)
- ◆ Humidity
Operating: 5% ~ 95% non-condensing
- ◆ Dimensions
338 mm x 122 mm
- ◆ Weight
GW: 1.1 Kg

Packing List

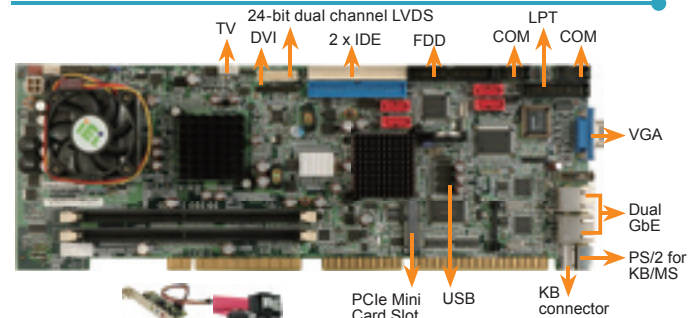
1 x ROCKY-4786 single board computer
1 x Mini jumper pack
2 x SATA cable (P/N: 32000-062800-RS)
1 x SATA power cable (P/N: 32100-088600-RS)
1 x KB/MS Y-cable (P/N: 32000-000138-RS)
1 x HDD cable (P/N: 32200-000052-RS)
1 x power cable (P/N: 32100-087100-RS)
1 x Dual RS-232 cable(2 COM Ports) (P/N: 19800-000051-RS)
1 x USB cable (P/N: CB-USB02-RS)
1 x Utility CD
1 x QIG

Ordering Information

Part No.	Description
ROCKY-4786EV-RS-R40	PICMG1.0 Socket 478 800MHz FSB Based CPU card with VGA, LAN, SATA, USB 2.0 & Audio
ROCKY-4786EVG-RS-R40	PICMG1.0 Socket 478 800MHz FSB CPU card with VGA, LAN, GbE, SATA, USB 2.0 & Audio
CF-478A-RS	High performance CPU Cooler (115W)
CF-478B-RS	1U CPU Cooler (86W)
CF-514-RS	CPU cooler
CF-519-RS	CPU cooler
32200-000017-RS	FDD cable
19800-000049-RS	LPT cable

WSB-9152-R21

Full-size PICMG 1.0 CPU card supports Socket 479 Intel® Pentium® M processors with a 533 MHz FSB and comes with VGA, PCIe GbE LAN, USB 2.0, SATA and SATA II interfaces



Dual DDR2
533

FSB533



18/24-bit
dual channel LVDS



Features

1. PICMG 1.0 and RoHS compliant
2. Supports 2.0 GHz (max.) Socket 479 Intel® Dothan core Pentium® M processors with a 533 MHz FSB or Banias core Celeron® M processors with a 400 MHz FSB
3. Two 1.5 Gbps SATA connectors, two 3.0 Gbps SATA II connectors (WSB-9152S only) and seven USB 2.0 interfaces

Specifications

- ◆ CPU
Socket 479 Intel® Pentium® M and Celeron® M processors with a 400 MHz or 533 MHz FSB
- ◆ System Chipset
Intel® 915GM + ICH6-M
- ◆ BIOS
Award Flash BIOS
- ◆ System Memory
Two 240-pin 1 GB (max.) 533 MHz or 400 MHz dual-channel DDR2 SDRAM DIMM supported (system max. 2 GB)
- ◆ Ethernet
Dual PCIe Broadcom BCM5787M GbE
- ◆ I/O Interface
2 SATA (Extra 2 SATA II for WSB-9142S/9152SDVI)
7 x USB 2.0 (1 on bracket, 6 on board)
2 x RS-232
1 x Keyboard and mouse (PS/2)
1 x IDEI (Extra 1 x IDE for WSB-9142S/9152SDVI)
1 x FDD
1 x LPT
1 x Keyboard and mouse (PS/2)
1 x 5-pin header for keyboard
- ◆ Digital I/O
8-bit Digital I/O (4-bit input/4-bit output)
- ◆ Display Interface
VGA integrated in Intel 915GM
18/24-bit dual channel LVDS
DVI by Chrontel 7308C (WSB-9152DVI/9152SDVI Only)
HDTV-out with 1080i support
- ◆ Audio
5.1 Channel AC'97 audio kit with Realtek ALC655 codec
7.1 Channel HD audio kit with Realtek ALC883 supports dual audio streams
- ◆ Watchdog Timer
Software programmable supports 1~255 sec. system reset
- ◆ Power Supply
AT/ATX support
- ◆ Power Consumption: 12 V @ 2.08 A, 5 V @ 3.6 A, -12 V @ 0.1 A, 5 Vsb @ 0.93 A running a 2 GHz Intel® Pentium® M processor with a 533 MHz FSB and 512 MB of 400 MHz DDR SDRAM
- ◆ Temperature
Operating: 0°C ~ 60°C (32°F ~ 140°F)
- ◆ Humidity
Operating: 5% ~ 95% non-condensing
- ◆ Dimensions: 338 mm X 122 mm
- ◆ Weight: GW: 1.1 Kg

Packing List

1 x WSB-9152 single board computer
1 x Mini jumper pack
1 x ATA 66/100 flat cable (P/N: 32200-000052-RS)
2 x SATA cable (P/N: 32000-062800-RS)
1 x SATA power cable (P/N: 32100-088600-RS)
4 x SATA cable for WSB-9152S / WSB-9152SDVI (P/N: 32000-062800-RS)
2 x SATA power cable for WSB-9152S / WSB-9152SDVI (P/N: 32100-088600-RS)
1 x KB/MS Y-cable (P/N: 32000-000138-RS)
1 x ATX-12V cable (P/N: 32100-087100-RS)
1 x RS-232 cable (P/N: 19800-000051-RS)
1 x USB cable (P/N: CB-USB02-RS)
1 x Utility CD
1 x QIG
1 x IO-KIT-001-R20 (DVI model only)

Ordering Information

Part No.	Description
WSB-9152-R21	PICMG 1.0 Socket 479 533MHz FSB CPU Card with VGA, PCIe GbE, USB 2.0, and SATA
WSB-9152S-R21	PICMG 1.0 Socket 479 533MHz FSB CPU Card with VGA, PCIe GbE, USB 2.0, SATA and SATA II
WSB-9152DVI-R21	PICMG 1.0 Socket 479 533MHz FSB CPU Card with VGA, PCIe GbE, USB 2.0, SATA and DVI function
WSB-9152SDVI-R21	PICMG 1.0 Socket 479 533MHz FSB CPU Card with VGA, PCIe GbE, USB 2.0, SATA, SATA II and DVI function
CF-479B-RS	CPU cooler
AC-KIT08R-R10	5.1 Channel AC'97 audio kit with Realtek ALC655 codec
AC-KIT883HD-R10	7.1 Channel HD audio kit with Realtek ALC883 supports dual audio streams
32200-000017-RS	FDD cable
19800-000049-RS	LPT cable
HDTVCSABLESET-01	HDTV Cable Set with S-Video/ Composite/ Component Interface